



# Water Decontaminator Catch Basin Inserts & Above Grade



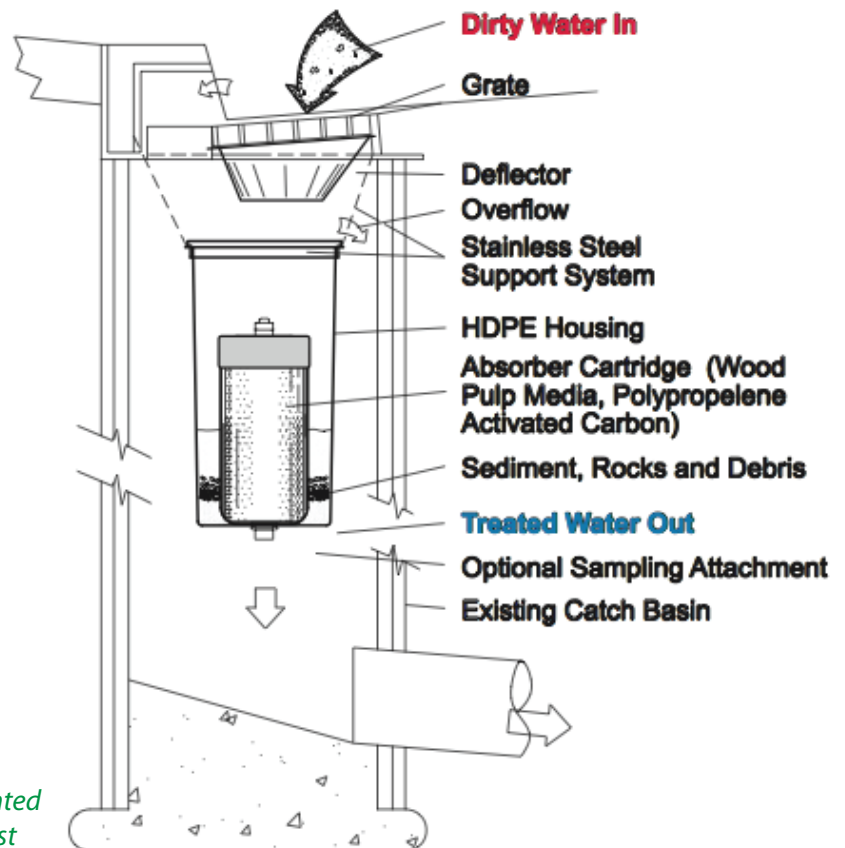
The Water Decontaminator is a patented, environmental product that is placed under a catch basin grate to help remove oil and contaminants from dirty water. Oil and contaminants are captured in a disposable cartridge. The absorber cartridge uses recycled waste products, essentially fighting pollution with pollution. An above grade Water Decontaminator is also available.

Applications include removal of oil and contaminants from water run-off sources:

- \* Urban run-off
- \* Roadways
- \* Parking lots
- \* Oil & fuel spills
- \* Military bases
- \* Airports
- \* Industrial sites
- \* Factories
- \* Maintenance areas
- \* Sumps
- \* Fire water run-off
- \* Equipment wash-down

Cleans parking lot run-off, catch basins, ponds, sumps and spills. Cleans dirty water run-off by separating dirt, debris and other solids into a sediment trap. Oils and chemicals are absorbed in a disposable cartridge.

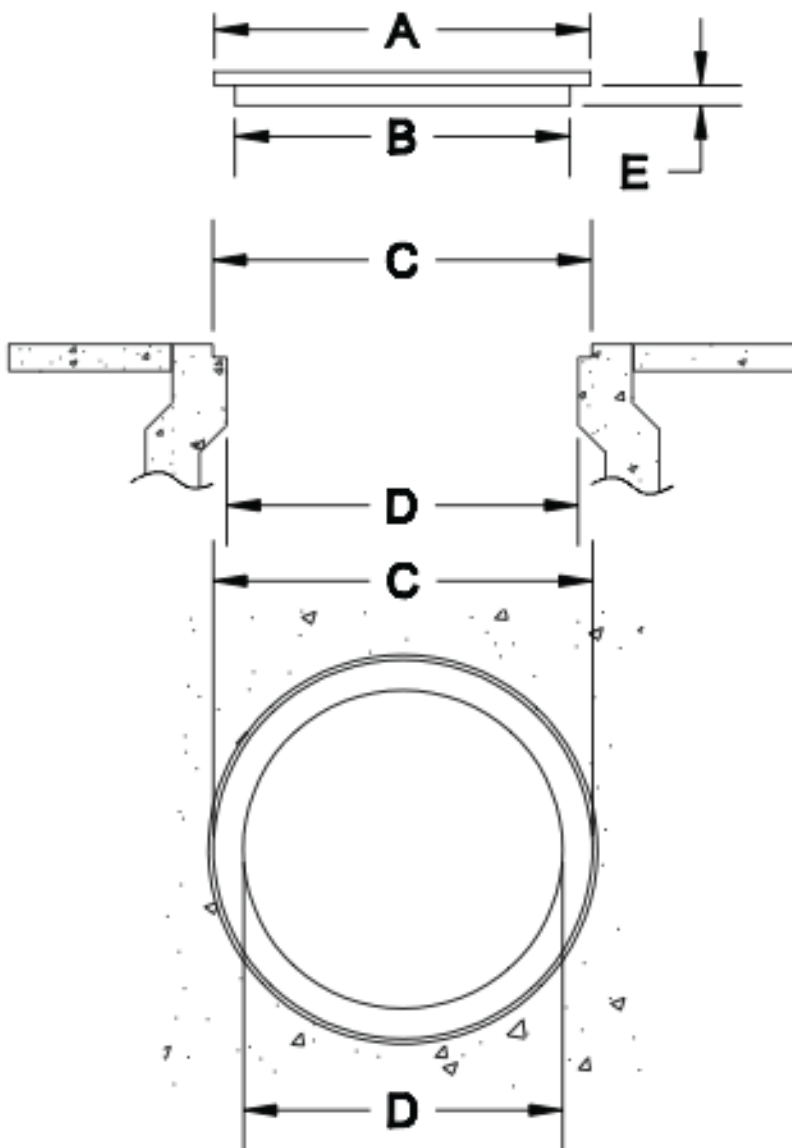
*The Water Decontaminator is engineered and patented for the treatment of stormwater run off. We can assist you with EPA compliance with a total solution system. Call us for a free assessment.*



# The Water Decontaminator

## Catch Basin Insert - ROUND

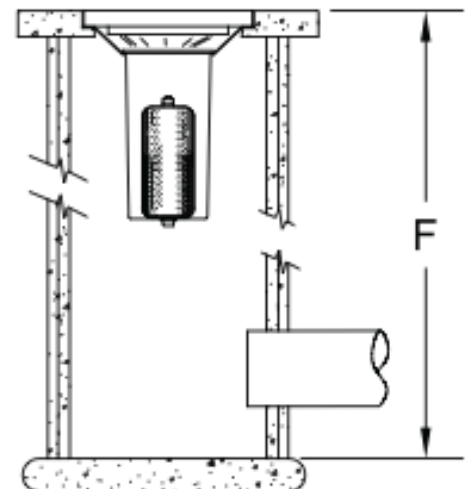
The Water Decontaminator is a patented, environmental product that is placed under a catch basin grate to help remove oil and contaminants from dirty water. Oil and contaminants are captured in a disposable cartridge. The absorber cartridge uses recycled waste products, essentially fighting pollution with pollution. An above grade Water Decontaminator is also available.



The following information is required for proper installation of the Water Decontaminator.

- A: Outside diameter of grate \_\_\_\_\_
- B: Drop ring diameter \_\_\_\_\_  
(For tapered rings measure largest diameter at top of ring.)
- C: Inside diameter of lip \_\_\_\_\_  
(For tapered frames measure smallest diameter at base of frame.)
- D: Inside diameter of opening \_\_\_\_\_
- E: Drop ring depth \_\_\_\_\_
- F: Depth of catch basin \_\_\_\_\_

Note: Some grates do not have a drop ring. If that is the case please mark "NA" for B and E.

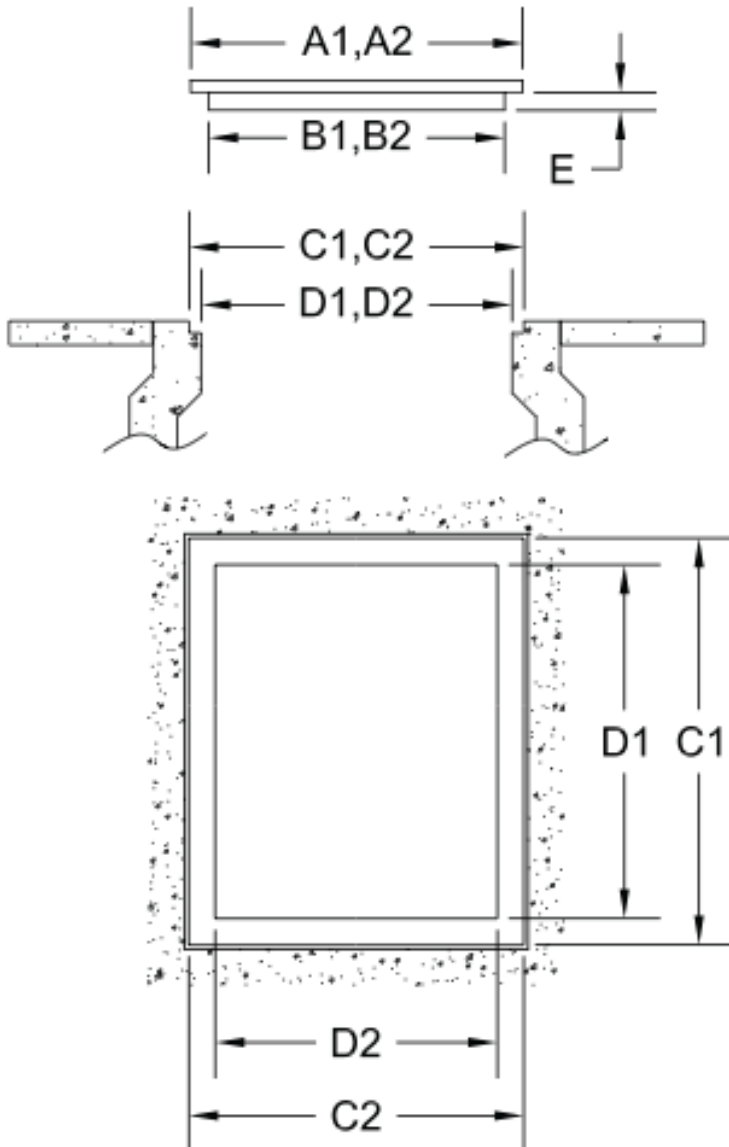


# The Water Decontaminator

## Catch Basin Insert - SQUARE



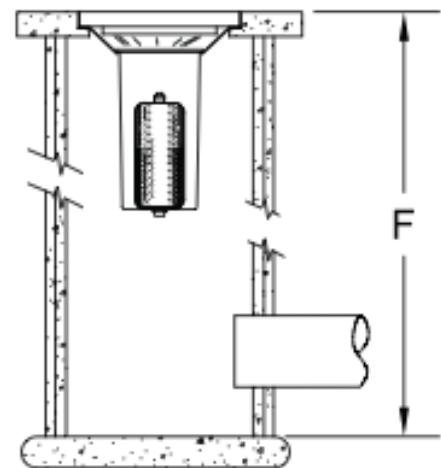
The Water Decontaminator is a patented, environmental product that is placed under a catch basin grate to help remove oil and contaminants from dirty water. Oil and contaminants are captured in a disposable cartridge. The absorber cartridge uses recycled waste products, essentially fighting pollution with pollution. An above grade Water Decontaminator is also available.



The following information is required for proper installation of the Water Decontaminator.

- A1: Outside length of cover \_\_\_\_\_
- A2: Outside width of cover \_\_\_\_\_
- B1: Drop ring length \_\_\_\_\_
- B2: Drop ring width \_\_\_\_\_
- C1: Inside length of lip \_\_\_\_\_
- C2: Inside width of lip \_\_\_\_\_
- D1: Inside length of opening \_\_\_\_\_
- D2: Inside width of opening \_\_\_\_\_
- E: Drop ring depth \_\_\_\_\_
- F: Depth of catch basin \_\_\_\_\_

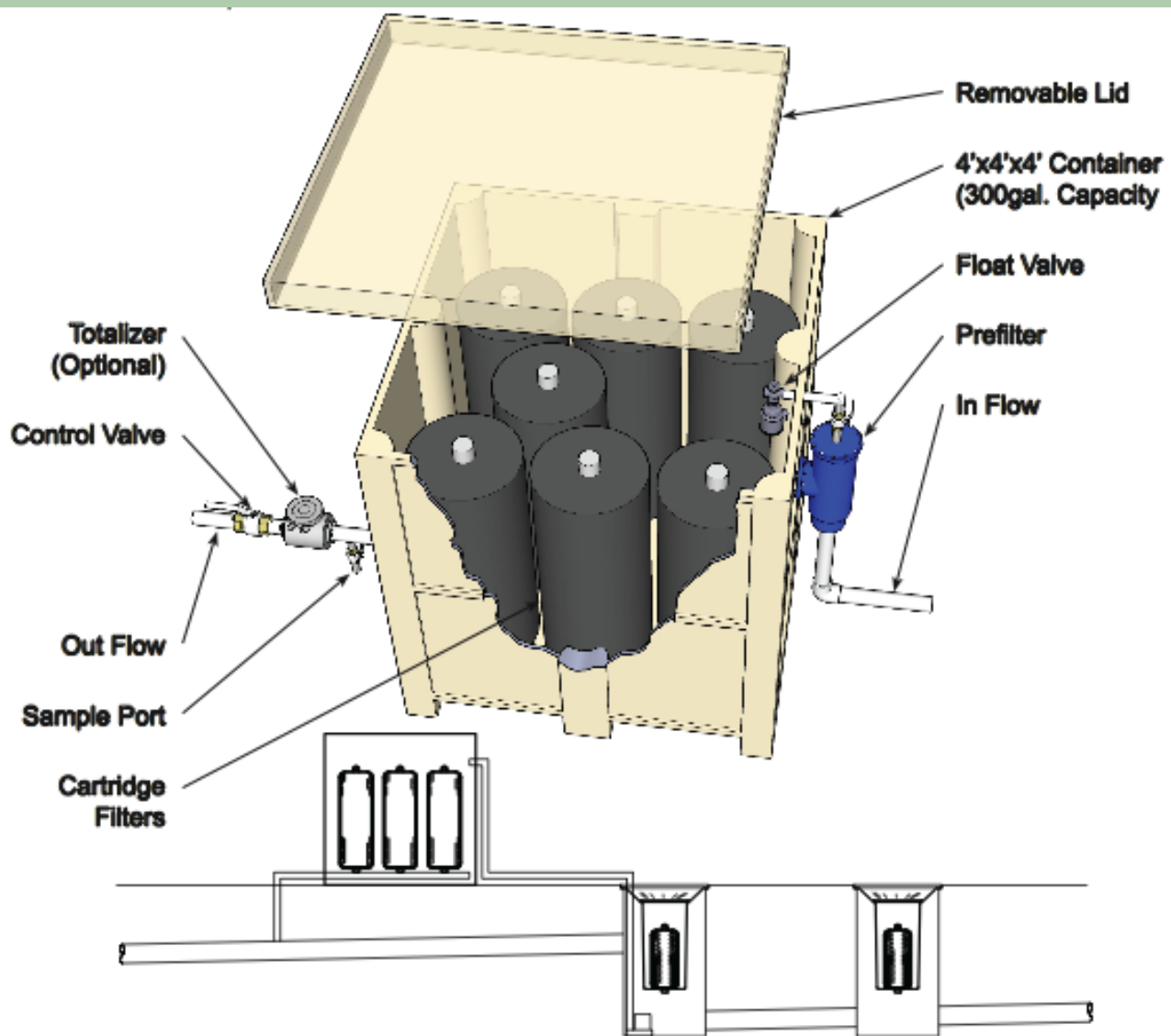
Note: Most grates do not have a drop ring. If that is the case please mark "NA" for B1, B2 and E.



# The Water Decontaminator

## Above Grade

The Water Decontaminator is a patented, environmental product used to help remove total suspended solids (TSS), oil, grease, and heavy metals from dirty water. Contaminants are captured in disposable absorber cartridges which use multiple medias for site specific conditions. The combination of filter design and absorber media provides deep bed loading while the large housing allows for settling of heavy sediment particles. This device is ideal for improved filtration.



Typical installation of above grade filter. Catch basins have Water Decontaminators for pretreatment, and a sump pump feeds the above grade system.

*The Water Decontaminator is engineered and patented for the treatment of stormwater run off. We provide catch basin inserts, above ground, and custom units for a broad range of applications. Call us for a free assessment.*



130 West Main Street, Silverdale, PA 18962  
Phone (215) 453-2533 – Fax (215) 453-1101  
[www.enchlor.com](http://www.enchlor.com)